

# *mody*

## ELECTRIC SUBMERSIBLE NON-CLOG PUMP

### NC SERIES

PORTABLE ELECTRIC  
SUBMERSIBLE SLUDGE PUMP  
FOR  
CORROSIVE & ABRASIVE  
APPLICATIONS

.....

#### Model NC-6360M

4" Flange or Hose  
(Low Volume - Low Head)

.....

#### Model NC-8360M

4" Flange or Hose  
(Medium Volume - Medium Head)

.....

#### Model NC-10360M

4" Flange or Hose  
(High Volume - High Head)

.....

Available 6 HP to 10 HP

### NON-CLOG SLUDGE SERIES ADVANTAGES

- Built-in automatic ON/OFF/ON thermal overload switches protect the motor. Thermal Protectors wired directly to built-in contactor for maximum reliability.
- Equipped with moisture sensor that detects progressive seal wear and automatically shuts down the pump.
- Stainless Steel Shaft, Impeller, Volute, Outlet and Hardware for maximum corrosion resistance.
- Choice of impeller materials:
  - 1) 304/316 Stainless Steel for sea water and corrosive applications and;
  - 2) Hardened 410 Stainless Steel for abrasive applications.
- Tandem Tungsten Carbide/Tungsten Carbide and Tungsten Carbide/Tungsten Carbide mechanical seals.
- Mechanical Seals in wholly enclosed pressure compensated oil chamber.
- Replaceable Nitrile Rubber-lined Wear Plate optimizes efficiency throughout the life of the pump.
- Can also be equipped with sacrificial Zinc Anodes for maximum life in a saline fluid environment.
- Available in Cast Iron construction (NC-T Series).



**mody**  
LLC

34750 Lencioni Avenue, Bakersfield, CA 93308. USA  
Tel.: (661) 392-7600 • Fax: (661) 392-7601  
<http://www.modypump.com> • E-mail: [sales@modypump.com](mailto:sales@modypump.com)



# mody

## ELECTRIC SUBMERSIBLE NON-CLOG SLUDGE PUMP

### NON-CLOG SLUDGE SERIES

### NON-CLOG SLUDGE SERIES

#### MATERIALS OF CONSTRUCTION AND ENGINEERING DATA

#### MOTOR

2-pole induction **continuous rated** motor with squirrel cage rotor.

Stator insulation class 'F' (155°C)

Speed: Approx. 3400 RPM @ 60 Hz, 2800 RPM @ 50 Hz

Power Rating:

NC-06360M	NC-08360M	NC-10360M
6 HP	8 HP	10 HP

Current: (9.8 Amps, 12.0 Amps, 14 Amps at 460 Volts)

Max. temperature of the pump liquid: 104°F

Max. start/stop per hour: 15

#### POWER SUPPLY

3 Phase, 50/60 Hz AC Supply.

Available in any voltage frequency combination. (208/220/230/380/415/460/575 V)

The Pump is equipped with built-in contactor which trips at excessively high motor temperature through the bimetallic switches in the winding. Can also be configured for specific voltage and frequency combinations.

#### BALL BEARINGS

Single row deep groove upper bearing. Double row angular contact lower bearing. The bearings are enclosed with high temperature grease containing special anti-corrosion additive.

#### POWER CABLE

Water/Oil proof rubber insulated, neoprene sheathed, copper conductor, flexible cable 50 ft. length.

#### SHAFT SEAL

Tandem Tungsten Carbide/Tungsten Carbide and Tungsten Carbide/Tungsten Carbide mechanical seals wholly enclosed in a pressure compensated oil chamber.

#### CORROSION RESISTANT

- Extruded Epoxy coated Aluminium Alloy Casing.
- Stainless Steel wet end.
- Nitrile rubber lined Wear Plate.

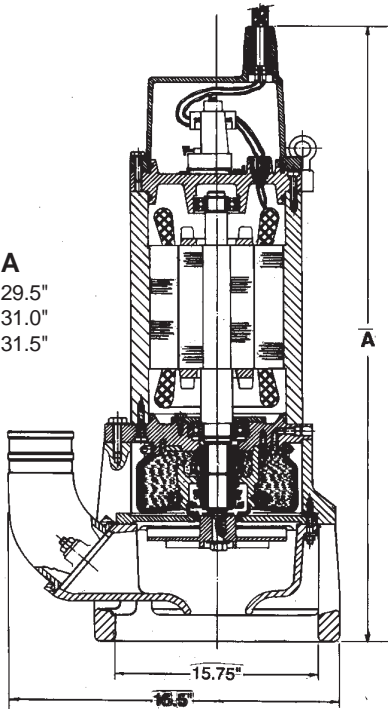
#### SUBMERGENCE

Submergence below liquid surface min. 8", max. 50 ft.

<b>WEIGHT</b>	NC-06360M	NC-08360M	NC-10360M
Without Cable	145 lbs.	163 lbs.	170 lbs.

Due to product development, specifications may be subject to change.

<b>Model</b>	<b>A</b>
NC-06360M	29.5"
NC-08360M	31.0"
NC-10360M	31.5"



Max. Sphere size 2 1/2 "

#### PERFORMANCE CURVE

