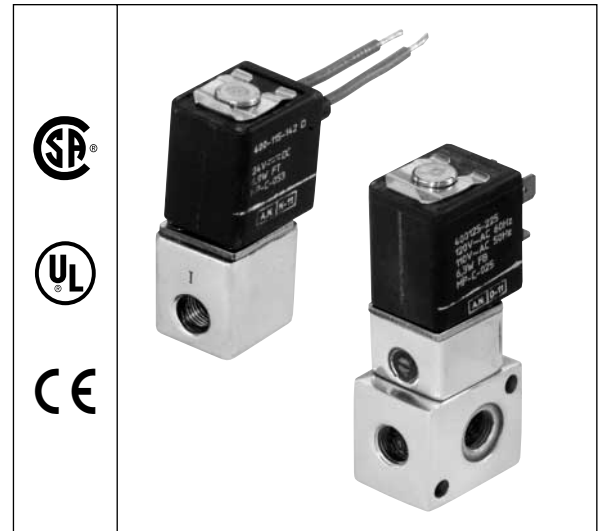


Features

- Economical, Normally Closed valves for a wide range of OEM applications.
- Convertable from AC to DC by changing the molded epoxy open frame coil.
- Individual valves handle mildly aggressive fluids.
- Group mounted valves (max. 10 valves) have aluminum bodies and built-in manual operators for air service.
- Mountable in any position.



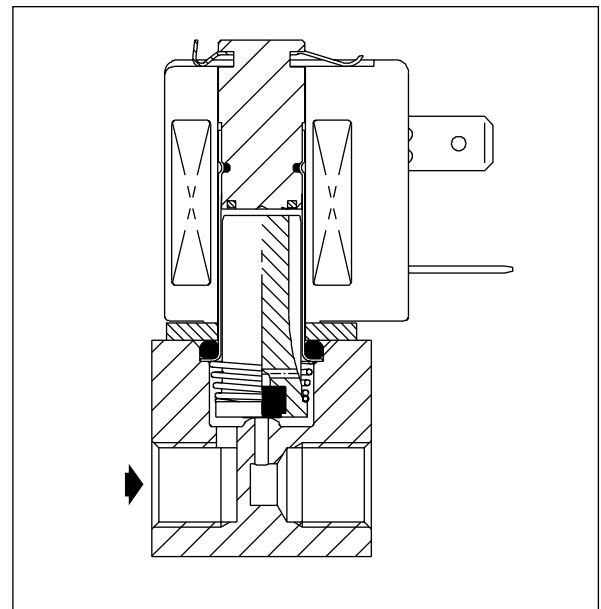
Construction

Valve Parts in Contact with Fluids		
Body		
Individual Valves	Brass	Stainless Steel
Group Mounted	Aluminum	
Seals and Discs	NBR or FKM	
Core and Plugnut	430F Stainless Steel	
Core Springs	302 Stainless Steel	
Shading Coil	Copper	

Electrical

Standard Coil and Class of Insulation	Watt Rating and Power Consumption				Spare Coil Part Number	
	DC Watts	AC				
		Watts	VA Holding	VA Inrush	AC	DC
F	6.9	6.3	8.8	12.1	400125	400125

Standard Voltages: 24, 120, 240, 480 volts AC, 60 Hz (or 110, 220 volts AC 50 Hz). 6, 12, 24, 120, 240 volts DC. Must be specified when ordering. Other voltages available when required.



Nominal Ambient Temperature Ranges:

AC: 32°F to 135°F (0°C to 57°C)

DC: 32°F to 77°F (0°C to 25°C)

Refer to Engineering Section for details.

Solenoid

Standard: Molded epoxy open frame solenoid can be converted from AC to DC by simply changing the coil.

Optional: 3x DIN 46244 coil; 1/2" Threaded Conduit Hub.

See *Optional Features Section, page 10.06*, for other available options.

Approvals:

CSA certified. UL Recognized Component. Meets applicable CE directives.

Refer to Engineering Section for details.

Specifications (English units)

Pipe Size (ins.)	Orifice Size (ins.)	Cv Flow Factor	Operating Pressure Differential (psi)						Max. Fluid Temp. °F		Open Frame Solenoid		Watt Rating/Class of Coil Insulation	
			Max. AC			Max. DC					Brass Body	Stainless Steel Body		
			Air-Inert Gas	Water	Light Oil @ 300 SSU	Air-Inert Gas	Water	Light Oil @ 300 SSU	AC	DC	Catalog Number	Catalog Number	AC	DC
NORMALLY CLOSED (Closed when de-energized), FKM Disc														
1/8	3/64	.05	500	500	500	200	200	200	180	77	U8225B1V	U8225B5V	6.3/F	6.9/F
1/8	1/16	.07	300	300	300	125	125	125	180	77	U8225B2V	U8225B6V	6.3/F	6.9/F
1/8	3/32	.17	175	175	175	30	30	30	180	77	U8225B3V	U8225B7V	6.3/F	6.9/F
1/8	1/8	.23	125	125	125	20	20	20	180	77	U8225B4V	U8225B8V	6.3/F	6.9/F

Pipe Size (ins.)	Orifice Size (ins.)	Cv Flow Factor	Operating Pressure Differential (psi)						Max. Fluid Temp. °F		Open Frame Solenoid		Watt Rating/Class of Coil Insulation	
			Max. AC			Max. DC					Operator Only	Sub-Base Construction		
			Air-Inert Gas	Air-Inert Gas	Air-Inert Gas	AC	DC	Catalog Number	Catalog Number	AC	DC			
GROUP MOUNTING - NORMALLY CLOSED (Closed when de-energized), Aluminum Body, NBR Disc														
1/8	3/64	.05	150			150			180 77		U8280B1	U8280B2	6.3/F	6.9/F

Specifications (Metric units)

Pipe Size (ins.)	Orifice Size (mm)	Kv Flow Factor (m3/h)	Operating Pressure Differential (bar)						Max. Fluid Temp. °C		Open Frame Solenoid		Watt Rating/Class of Coil Insulation	
			Max. AC			Max DC					Brass Body	Stainless Steel Body		
			Air-Inert Gas	Water	Light Oil @ 300 SSU	Air-Inert Gas	Water	Light Oil @ 300 SSU	AC	DC	Catalog Number	Catalog Number	AC	DC
NORMALLY CLOSED (Closed when de-energized), FKM Disc														
1/8	1.2	.04	34	34	34	14	14	14	81	27	U8225B1V	U8225B5V	6.3/F	6.9/F
1/8	1.6	.06	21	21	21	9	9	9	81	27	U8225B2V	U8225B6V	6.3/F	6.9/F
1/8	2.4	.15	12	12	12	2	2	2	81	27	U8225B3V	U8225B7V	6.3/F	6.9/F
1/8	3.2	.20	9	9	9	1	1	1	81	27	U8225B4V	U8225B8V	6.3/F	6.9/F

Pipe Size (ins.)	Orifice Size (mm)	Kv Flow Factor (m3/h)	Operating Pressure Differential (bar)						Max. Fluid Temp. °C		Open Frame Solenoid		Watt Rating/Class of Coil Insulation	
			Max. AC			Max. DC					Operator Only	Sub-Base Construction		
			Air-Inert Gas	Air-Inert Gas	Air-Inert Gas	AC	DC	Catalog Number	Catalog Number	AC	DC			
GROUP MOUNTING - NORMALLY CLOSED (Closed when de-energized), Aluminum Body, NBR Disc														
1/8	1.2	.04	10			10			81 25		U8280B1	U8280B2	6.3/F	6.9/F

Dimensions: inches (mm)

