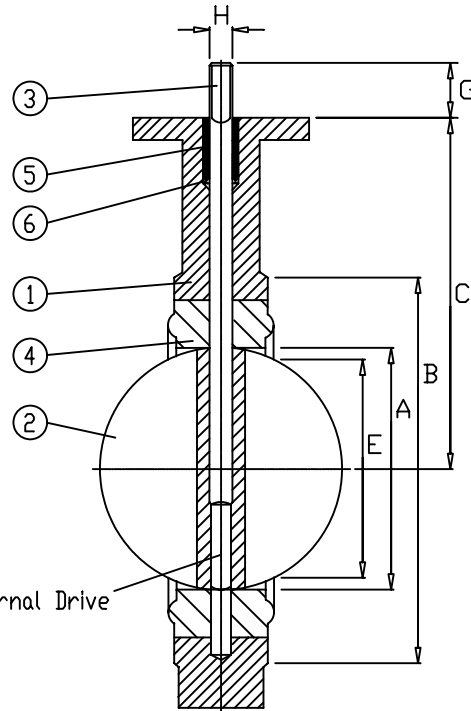
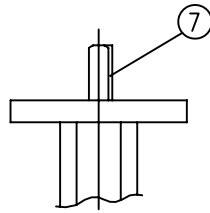
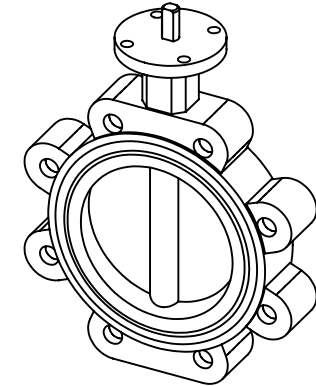


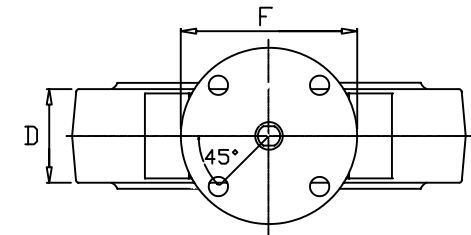
FLOW VIEW



SECTION



TOP VIEW



VALVE DIMENSIONS

Size	A	B	C	D	E	F	G	H	K	Keyway	Weight	Top Plate Drilling			Tapped Lug Data		
												Bolt Circle	No. of Holes	Hole Dia.	Bolt Circle	No. of Holes	Tap
2"	2	3 1/2	5 1/2	1 5/8	1 3/8	4	1 1/4	9/16	3/8	-	7 1/2	3 1/4	4	7/16	4 3/4	4	5/8-11 UNC
2.5"	2 1/2	4 1/4	6	1 3/4	2 1/16	4	1 1/4	9/16	3/8	-	9 1/2	3 1/4	4	7/16	5 1/2	4	5/8-11 UNC
3"	3	4 3/4	6 1/4	1 3/4	2 9/16	4	1 1/4	9/16	3/8	-	10	3 1/4	4	7/16	6	4	5/8-11 UNC
4"	4	5 7/8	7	2	3 5/8	4	1 1/4	5/8	7/16	-	18	3 1/4	4	7/16	7 1/2	8	5/8-11 UNC
5"	5	7 1/8	7 1/2	2 1/8	4 3/4	4	1 1/4	3/4	1/2	-	22	3 1/4	4	7/16	8 1/2	8	3/4-10 UNC
6"	5 3/4	8 3/16	8	2 1/8	5 1/2	4	1 1/4	3/4	1/2	-	26	3 1/4	4	7/16	9 1/2	8	3/4-10 UNC
8"	7 3/4	10 1/4	9 1/2	2 1/2	7 1/2	6	1 1/4	7/8	5/8	-	42	5	4	9/16	11 3/4	8	3/4-10 UNC
10"	9 3/4	12 9/16	10 3/4	2 1/2	9 19/32	6	2	1 1/8	-	1/4x1/8	60	5	4	9/16	14 1/4	12	7/8-9 UNC
12"	11 3/4	14 3/4	12 1/4	3	11 9/16	6	2	1 1/8	-	1/4x1/8	90	5	4	9/16	17	12	7/8-9 UNC

NOTES:  
The figure 397 can not be used on a pipe or flange with an inside diameter less than the "E" dimension.

API Standard 609

Item No.	Name	No. Req'd	Material	Remarks
1	Lugged Body	1		
2	Disc	1		
3	Stem	1		
4	Seat	1		
5	Bushing	1		
6	Seal	1		
7	Key	1		

SUBASSEMBLY PART NUMBER

Trim	Part	Size	Figure No.	Style

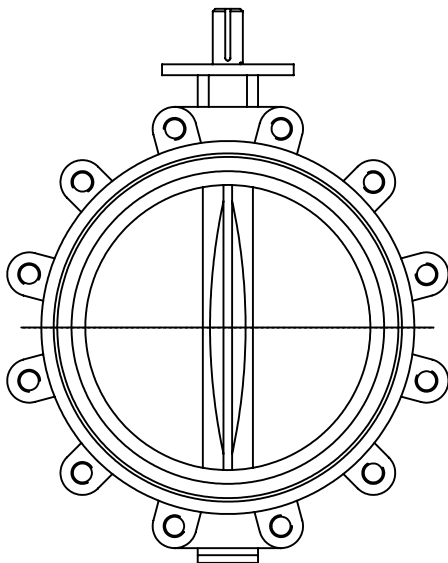
ABZ MANUFACTURING, INC.

2"-12" Figure 397 Valve  
Standard Lug Pattern

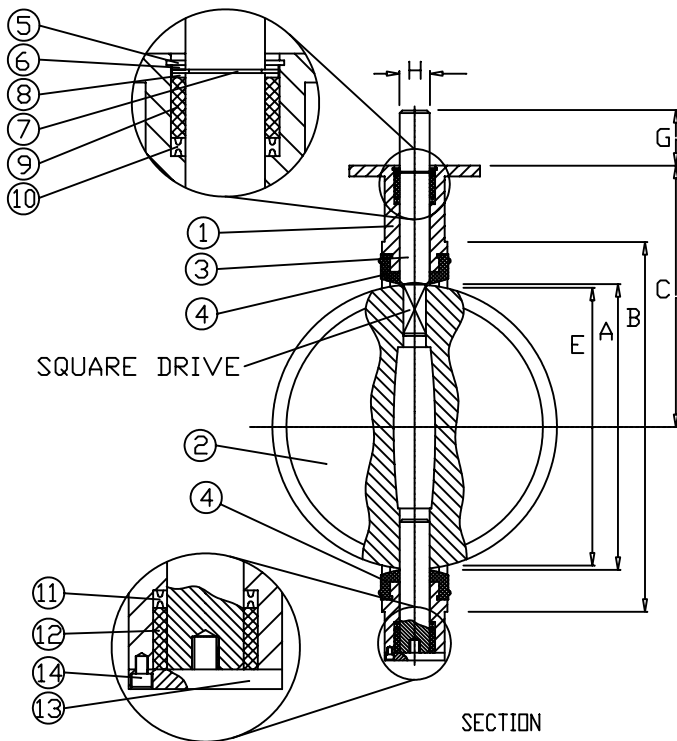
BODY: Tapped Lug w/360° Top Plate  
DISC: Standard  
STEM: One Piece w/Flats/Keyway  
SEAT: Elastomer



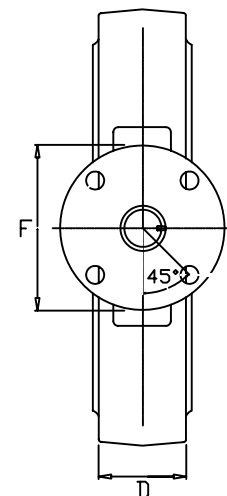
BY	DATE	DESCRIPTION	DATE:	DRAWING NO.	ED
			07-02-04		397



FLOW VIEW



SECTION



TOP VIEW

VALVE DIMENSIONS

Size	A	B	C	D	E	F	G	H	Keyway	Weight	Top Plate Drilling			Tapped Lug Data		
											Bolt Circle	No. of Holes	Hole Dia.	Bolt Circle	No. of Holes	Tap
14"	13 1/4	17 9/16	12	3	13 1/8	6	2 1/4	1 3/8	5/16x5/16	115	5	4	9/16	18 3/4	12	1-8 UNC
16"	15 1/4	20 1/8	12 61/64	4	15	6	2 1/4	1 5/8	3/8x3/8	180	5	4	9/16	21 1/4	16	1-8 UNC
18"	17 1/4	21 1/2	14 1/2	4 1/4	16 7/8	8	3	1 7/8	1/2x1/2	244	6 1/2	4	13/16	22 3/4	16	1 1/8-7 UNC
20"	19 1/4	23 3/4	15 7/8	5	18 3/4	8	3	2 1/8	1/2x1/2	270	6 1/2	4	13/16	25	20	1 1/8-7 UNC
24"	24 1/2	27 3/4	22 1/4	6	22 5/8	8	3	2 1/8	1/2x1/2	498	6 1/2	4	13/16	29 1/2	20	1 1/4-7 UNC

NOTES:  
The figure 397 can not be used on a pipe or flange with an inside diameter less than the "E" dimension.

Item No.	Name	No. Req'd	Material	Remarks	SUBASSEMBLY PART NUMBER				
					Trim	Part	Size	Figure No.	Style
1	LUG BODY	1							
2	DISC	1							
3	STEM	1							
4	SEAT	1							
5	CLIP	1							
6	WASHER	1							
7	CLIP	1							
8	WASHER	1							
9	BUSHING	1							
10	V-PACKING, UPPER	1							
11	V-PACKING, LOWER	1							
12	BUSHING	1							
13	CAP PLATE	1							
14	CAP BOLT	1							

**ABZ MANUFACTURING, Inc.**

14"-24" Figure 397 Valve  
Standard Lug Pattern

BODY: Lug w/360° Top Plate  
DISC: Standard  
STEM: One Piece w/Keyway  
SEAT: Elastomer

API Standard 609	
BY DATE DESCRIPTION	
REVISIONS	DATE: 04-04-05
	DRAWING NO. 397-14-24