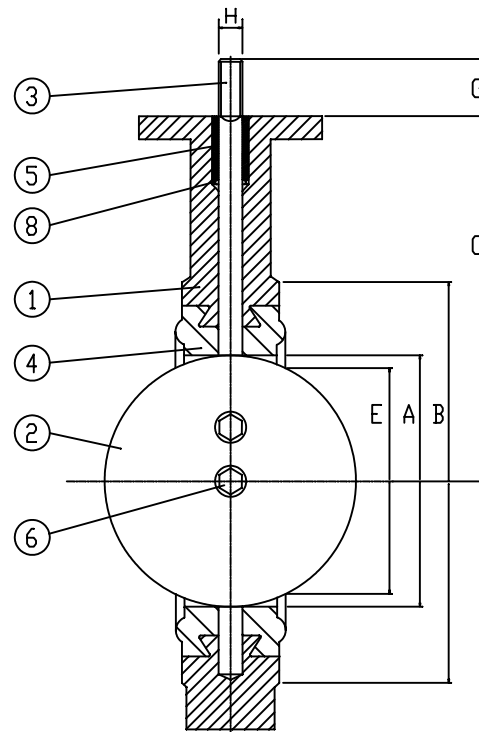
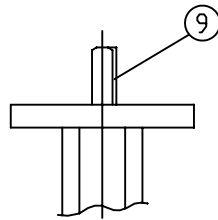
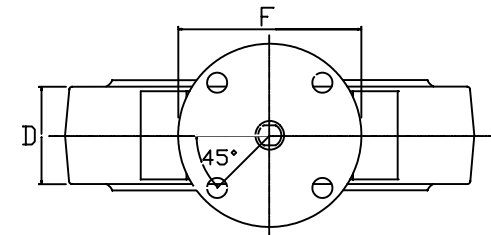
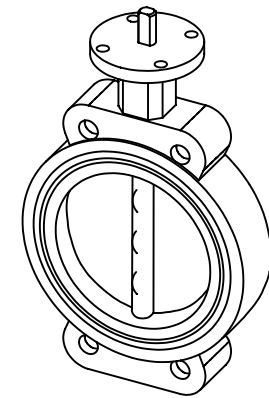


FLOW VIEW



SECTION



TOP VIEW

NOTES:

The figure 108 can not be used on a pipe or flange with an inside diameter less than the "E" dimension.

API Standard 609

VALVE DIMENSIONS

Size	A	B	C	D	E	F	G	H	K	Keyway	Weight	Top Plate Drilling			Tapped Lug Data	
												Bolt Circle	No. of Holes	Hole Dia.	Bolt Circle	Tap
2"	2 1/8	4 1/8	5 1/2	1 5/8	1 11/16	4	1 1/4	9/16	3/8	-	7 1/2	3 1/4	4	7/16	4 3/4	5/8-11 UNC
2.5"	2 9/16	4 7/8	6	1 3/4	2 3/16	4	1 1/4	9/16	3/8	-	10	3 1/4	4	7/16	5 1/2	5/8-11 UNC
3"	3 1/8	5 3/8	6 1/4	1 3/4	2 7/8	4	1 1/4	9/16	3/8	-	11	3 1/4	4	7/16	6	5/8-11 UNC
4"	4 1/8	6 7/8	7	2	3 7/8	4	1 1/4	5/8	7/16	-	17	3 1/4	4	7/16	7 1/2	5/8-11 UNC
5"	5 3/16	7 5/8	7 1/2	2 1/8	5	4	1 1/4	5/8	7/16	-	21	3 1/4	4	7/16	8 1/2	3/4-10 UNC
6"	6 1/8	8 3/4	8	2 1/8	6	4	1 1/4	5/8	7/16	-	26	3 1/4	4	7/16	9 1/2	3/4-10 UNC
8"	8 1/8	11	9 1/2	2 1/2	8	6	1 1/4	3/4	1/2	-	42	5	4	9/16	11 3/4	3/4-10 UNC
10"	10 1/8	13 3/8	10 3/4	2 1/2	10 1/16	6	1 1/4	7/8	5/8	-	65	5	4	9/16	14 1/4	7/8-9 UNC
12"	12 3/32	16 1/8	12 1/4	3	11 15/16	6	2	1 1/8	-	1/4x1/8	108	5	4	9/16	17	7/8-9 UNC

Item No.	Name	No. Req'd	Material	Remarks
1	Semi-Lugged Body	1		
2	Disc	1		
3	Stem	1		
4	Seat	1		
5	Bushing	1		
6	Screw	2		
7	O-Ring	2		
8	Seal	1		
9	Key	1		

SUBASSEMBLY PART NUMBER				
Trim	Part	Size	Figure No.	Style
<b>ABZ MANUFACTURING, INC.</b> 2"-12" Figure 108 Valve Standard Semi-Lug Pattern BODY: Tapped Semi-Lug w/360° Top Plate DISC: Standard STEM: One Piece w/Flats/Keyway SEAT: Elastomer				
BY DATE DESCRIPTION			DRAWING NO. ED 108	
REVISIONS			DATE: 07-02-04	

